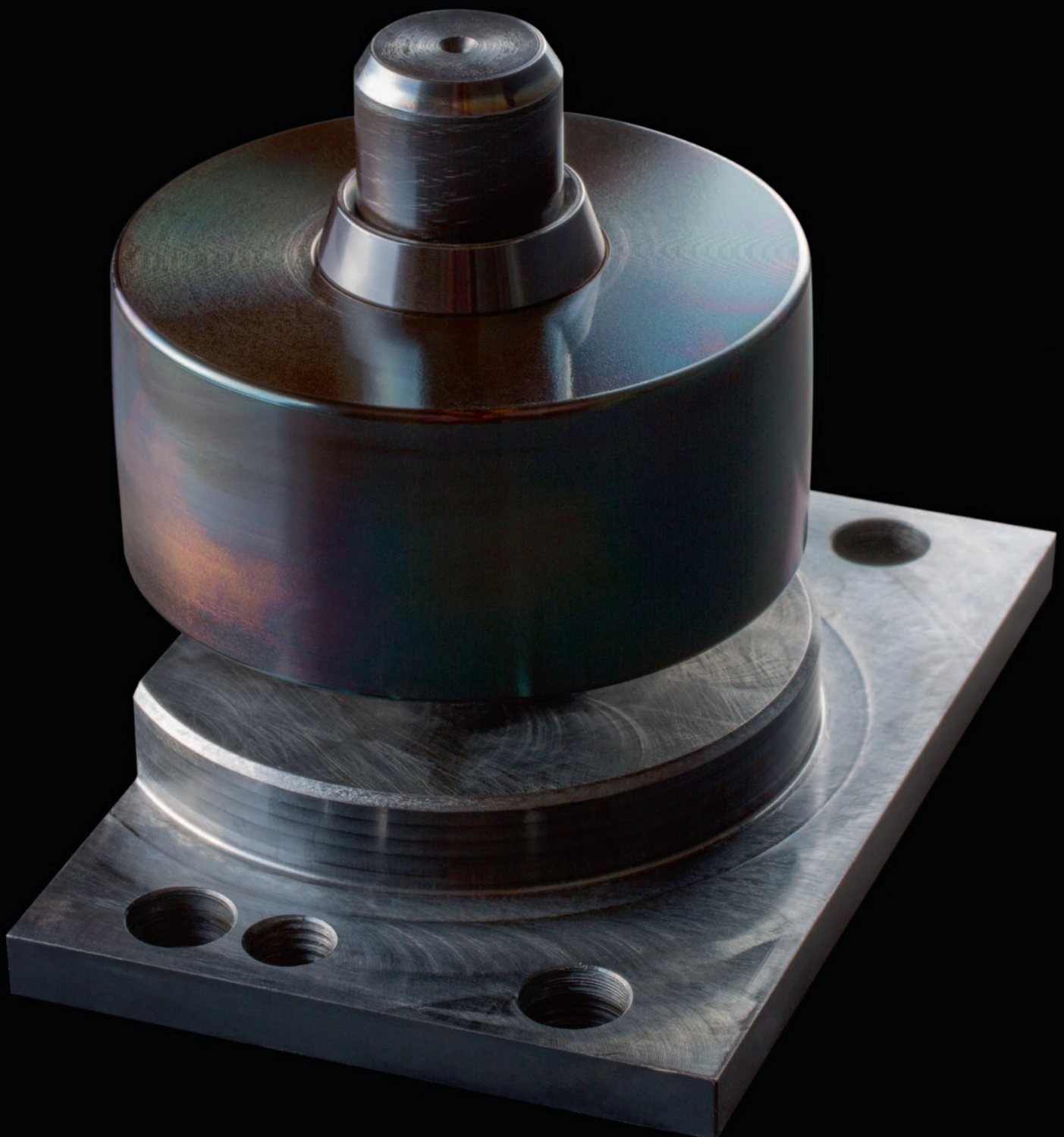


Hitachi Zosen  
INOVA

Vivax sliding bearing for grate carriage

Long service life – maintenance-free – easy to install



## Long-lasting grate carriage bearings

**Maximum wear resistance, longer operating time without maintenance and easy installation: the new Vivax carriage roller from Hitachi Zosen Inova is an innovative and sustainable solution for the bearing support of grate carriages.**

Extreme thermal exposure, tribological wear, and low rotational speeds used to mean that grate carriage bearings had to be serviced and replaced at regular intervals. The grease tended to lose its sealing and lubricating properties due to exposure to heat.

The consequences were shorter service life and higher costs.

### **| Perfectly balanced system**

The Vivax changes all this. Hitachi Zosen Inova has developed a maintenance-free carriage roller to increase the service life of the grate bearings. The result is a perfectly balanced tribological system consisting of axle, roller, and thrust ring.

The new carriage rollers in the Vivax have been entirely manufactured from a Fe-C-Mn alloy based on hard manganese steel. Thanks to grain refining and special heat treatment, the rollers have very good wear resistance both at the running contact and in the sliding groove. They are also resistant to adhesion and abrasion wear up to a temperature of 400 degrees Celsius.

### **| Maximum resistance thanks to hard manganese steel**

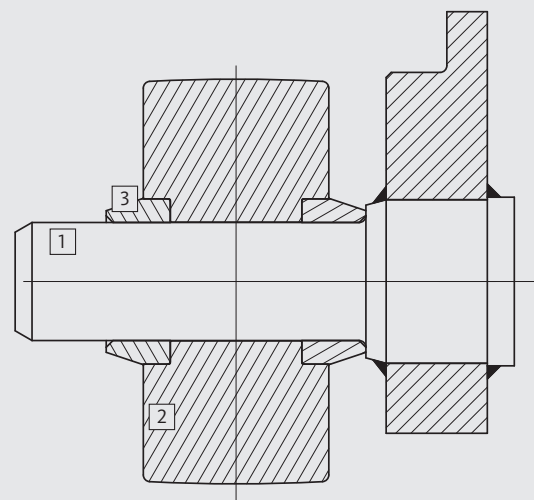
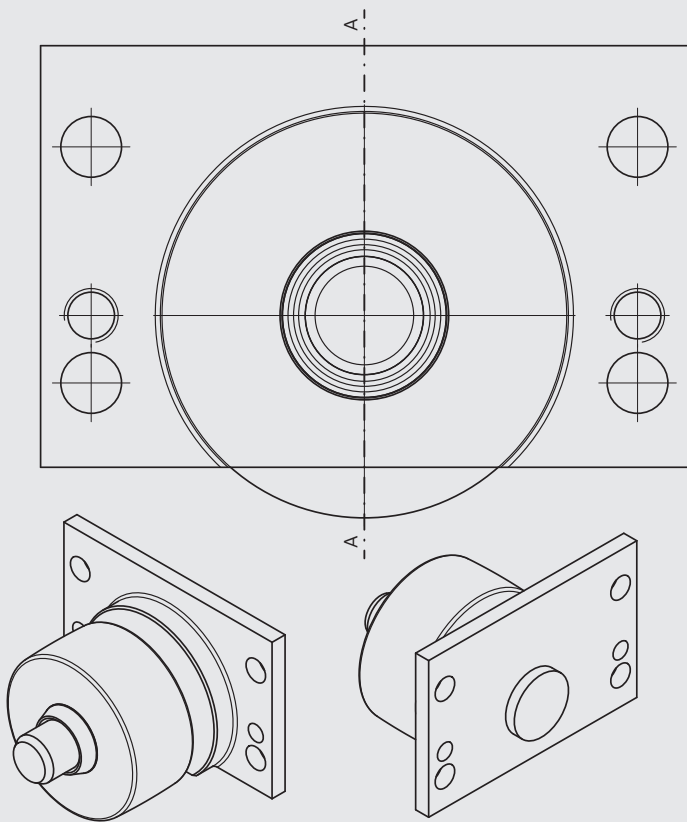
Unlike conventional bearings made of hardened tempered steel, which lose their wear resistance once 1 to 2 mm of the hardened layer has worn off, the unchangeable hard manganese steel structure of the outer contour of the Vivax carriage roller always provides maximum wear resistance. This results in a longer service life without the need for any servicing. And because the system has a limited number of components, it is easy and quick to assemble and disassemble.



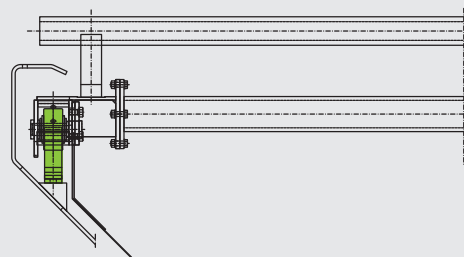
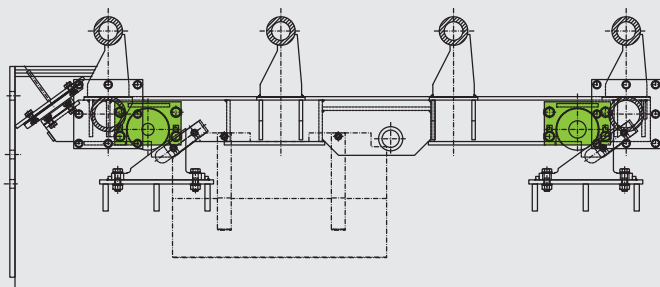
Sketch of grate carriage bearing

Vivax sliding bearing complete, Art no 1003114

Section A-A



- 1 Flange, Art. no 1003115
- 2 Roller, Art. no 1003116
- 3 Retaining ring, Art. no 1003117



Vivax sliding bearing for grate carriage Long service life – maintenance-free – easy to install

Hitachi Zosen  
INOVA

Hitachi Zosen Inova AG | Hardturmstr. 127 | P.O. Box 680 | 8037 Zurich | Switzerland  
T +41 44 277 11 11 | F +41 44 277 13 13 | [info@hz-inova.com](mailto:info@hz-inova.com) | [www.hz-inova.com](http://www.hz-inova.com)